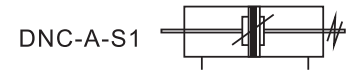
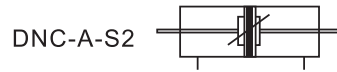
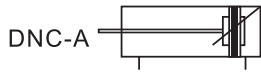
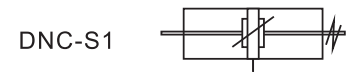
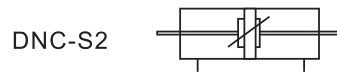
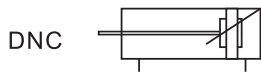


DNC Series ISO6431 Standard Cylinder



Ordering Code DNC Series ISO6431 Standard Cylinder

DNC 32 X 50 - 20 - PPV - A - S2

Series Code: DNC (Basic type), FNC (Front Rear Plate Mounting), ZNCF (Centre Trunnion Mounting), SNCB (Single Trunnion Mounting), SNCL (Double Trunnion Mounting)

Bore: 32

Stroke: 50 (Options: 10:10mm, 20:20mm, 30:30mm, 40:40mm, 50:50mm, 75:75mm, 100:100mm)

Adjustable Stroke: 20

Cushion: PPV (With Cushion), Blank (No Cushion)

Magnet: A (With Magnet), Blank (Without Magnet)

Type: S2 (Double-shaft type), Blank (Standard Cylinder), S1 (Double-shaft, adjustable stroke type)

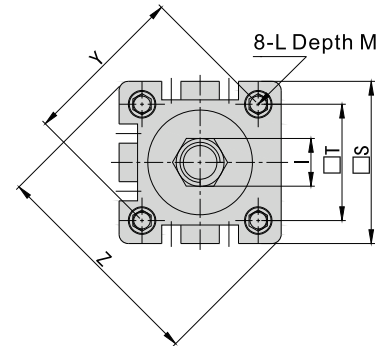
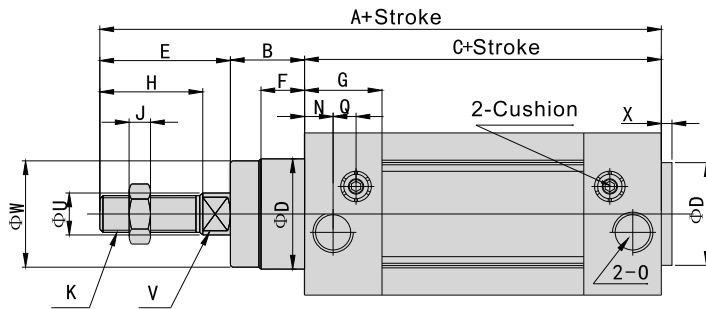
Specifications

Bore (mm)	32	40	50	63	80	100	125
Acting type	Double acting						
Working medium	Clean air(40µm Filtration)						
Mounting type	DNC Series Basic type FA FB CA CB CR LB TC TC-M						
	DNC-S2 Series Basic type FA LB TC TC-M						
Working pressure range	0.1~1.0Mpa						
Guaranteed pressure	1.35Mpa						
Working temperature	-5~70°C						
Speed range	50~800mm/s						
Cushion type	Adjustable cushion						
Cushion stroke	24mm			32mm			
Working life	≥ 4000Km						
Port size	G1/8	G1/4		G3/8		G1/2	

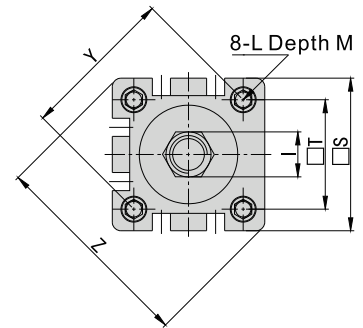
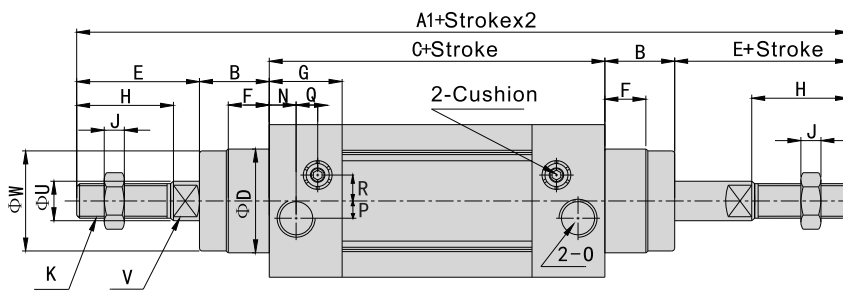
DNC Series ISO6431 Standard Cylinder

Main Dimensions

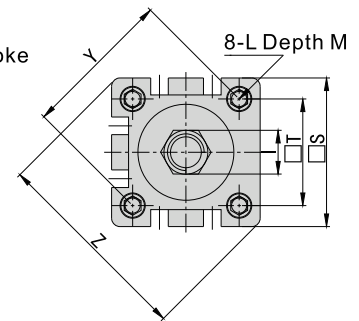
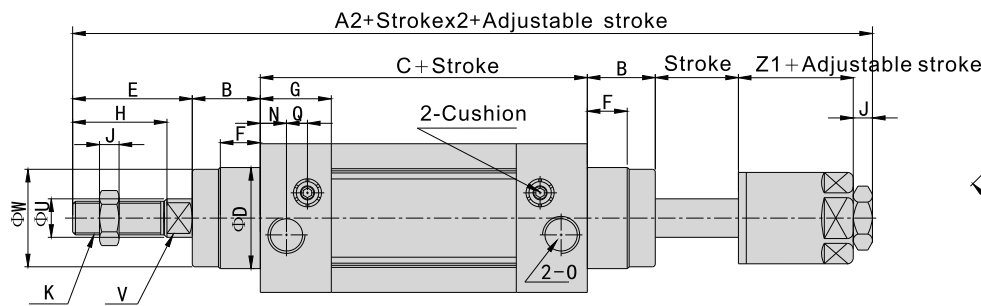
DNC Basic type



DNC-S2 Double shaft type



DNC-S1 Double shaft adjustable stroke type



Bore	Sign	A	A1	A2	B	C	D	E	F	G	H	I	J	K
32		142	190	185	16	94	30	32	10	25	22	17	6	M10X1.25
40		159	213	207	20	105	35	34	10	29.5	24	17	7	M12X1.25
50		175	244	233	27	106	40	42	10	32	32	23	8	M16X1.5
63		190	258	247	26	122	45	42	10	36	32	23	8	M16X1.5
80		214	301	288	35	127	45	52	10	37	40	26	10	M20X1.5
100		229	321	308	40	137	55	52	10	39	40	26	10	M20X1.5
125		279	352	-	46	160	60	73	20.5	44.7	54	-	-	M27X2

Bore	Sign	M	N	O	P	Q	R	S	T	U	V	W	X	L	Z1
32		12	15	G1/8	5	3	6.5	45	32.5	12	10	28	4	M6	21
40		12	17.5	G1/4	7	3	7	52	38	16	13	33	4	M6	21
50		12	21	G1/4	7	3	9	65	46.5	20	17	38	4	M8	23
63		12	23	G3/8	8	5	9	76	56.5	20	17	40	4	M8	23
80		12	24	G3/8	10	5	12	94	72	25	22	43	5	M10	29
100		12	26	G1/2	10	5	14	112	89	25	22	47	6	M10	29
125		-	22.3	G1/2	13	8	16	134	110	32	27	58	6	M12	-